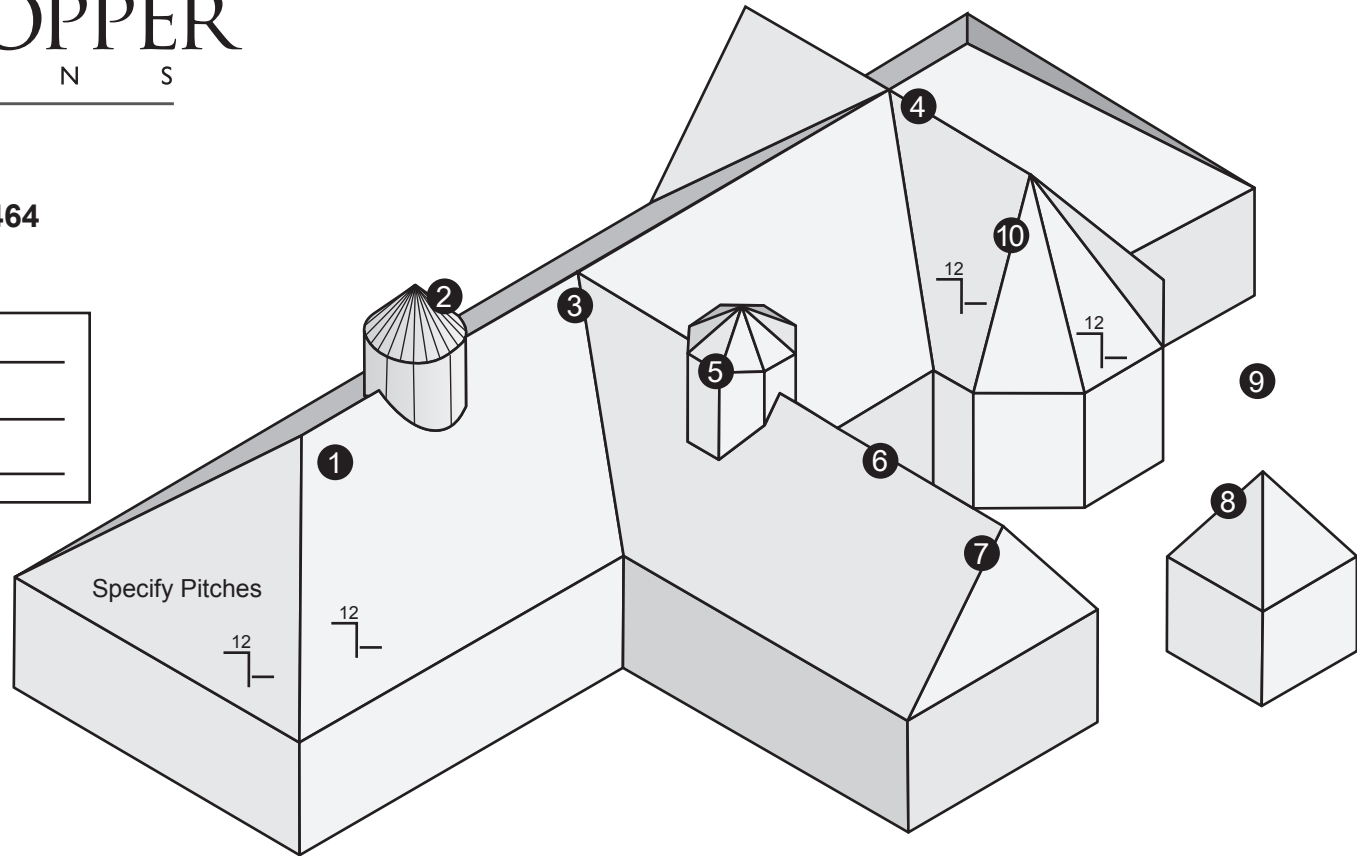


CUSTOM COPPER

D E S I G N S

Please Sign & Fax to **(405) 793-9464**
for Production to Begin

APPROVED BY: _____
 NAME: _____
 DATE: _____



- ① Ridge to Hip
- ② Round
- ③ 3-Way Ridge
- ④ 4-Way Ridge
- ⑤ Multi-Sided (Number of Sides): _____
- ⑥ Ridge
- ⑦ Ridge to Gable
- ⑧ 4-Sided Hip
- ⑨ Flat
- ⑩ Ridge/Multi-Sided Hip (Specify Pitches & Number of "Hips"): _____

Mounting Position (1-10): _____

Roof Pitch(s): _____

ROOFING MATERIAL SPIRE IS SITTING ON

Architectural Shingles

Standing Seam Panels

Seam Height: _____ Seam Spacing: _____

Clay/Concrete/Slate Tile

If other than architectural roof shingles, please specify manufacturer & profile of roofing material